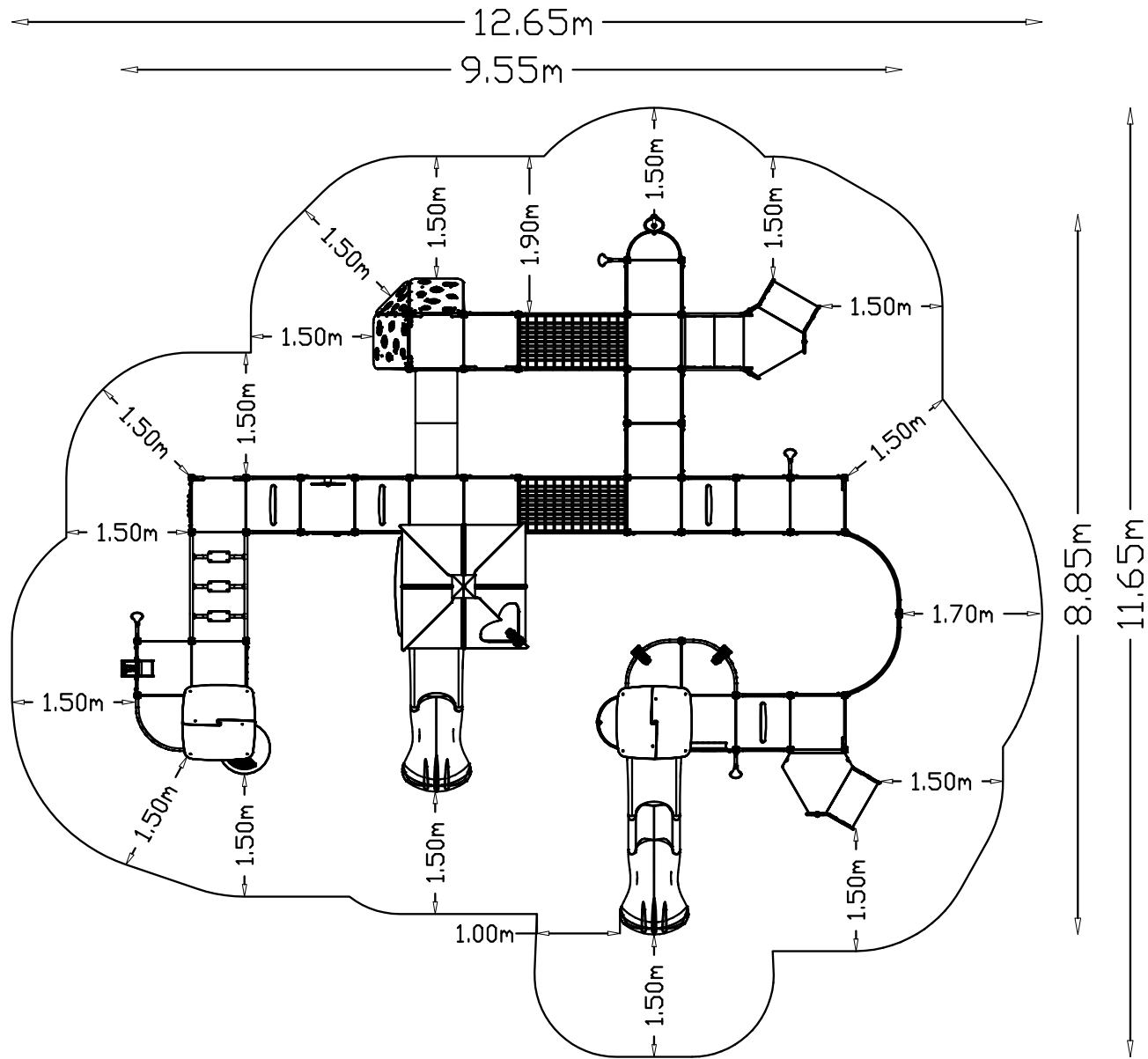




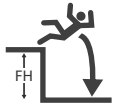
S6

EN1176  
1.82m

# EN1176



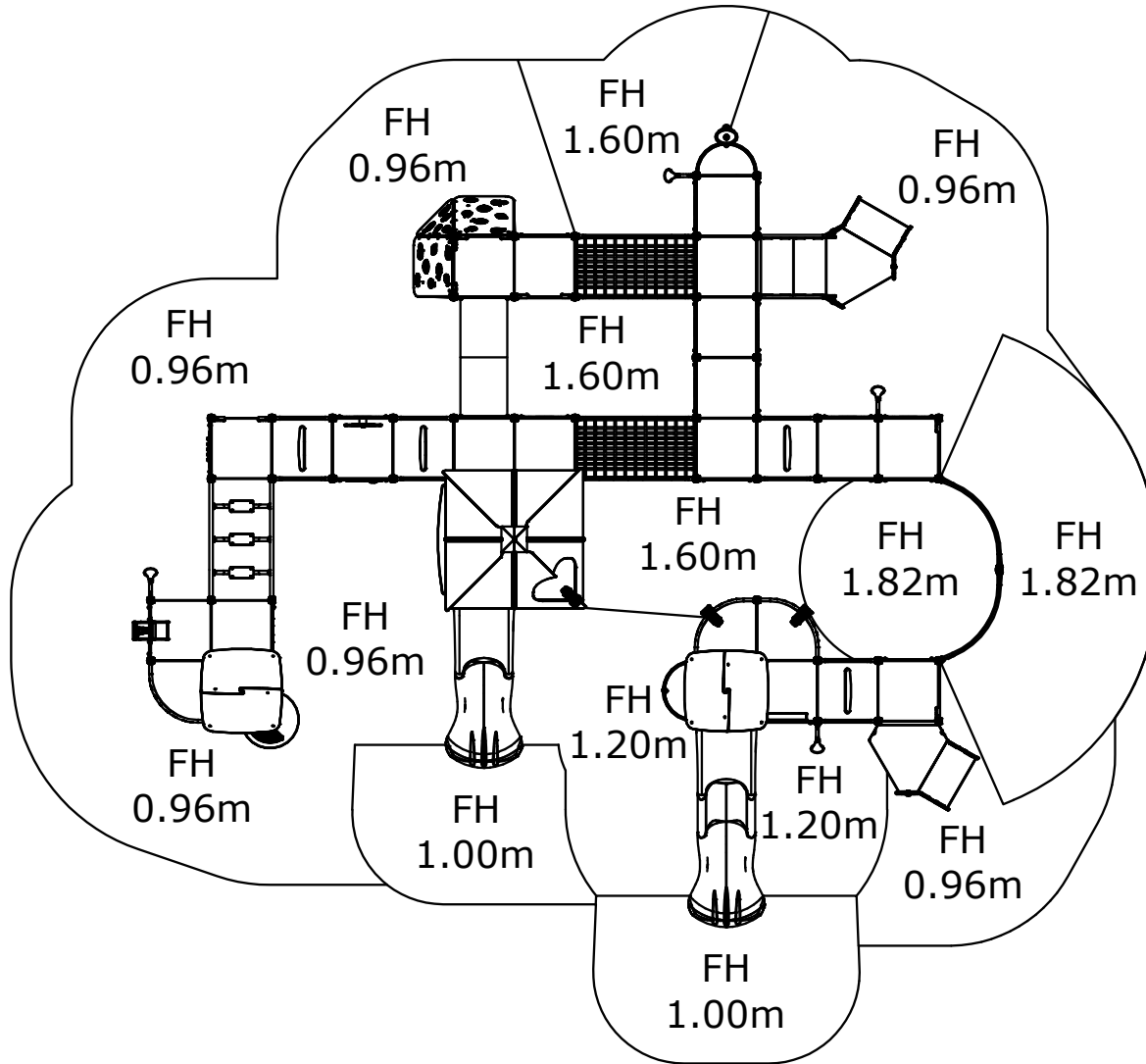
S6



EN1176

1.82m

# EN1176



S8

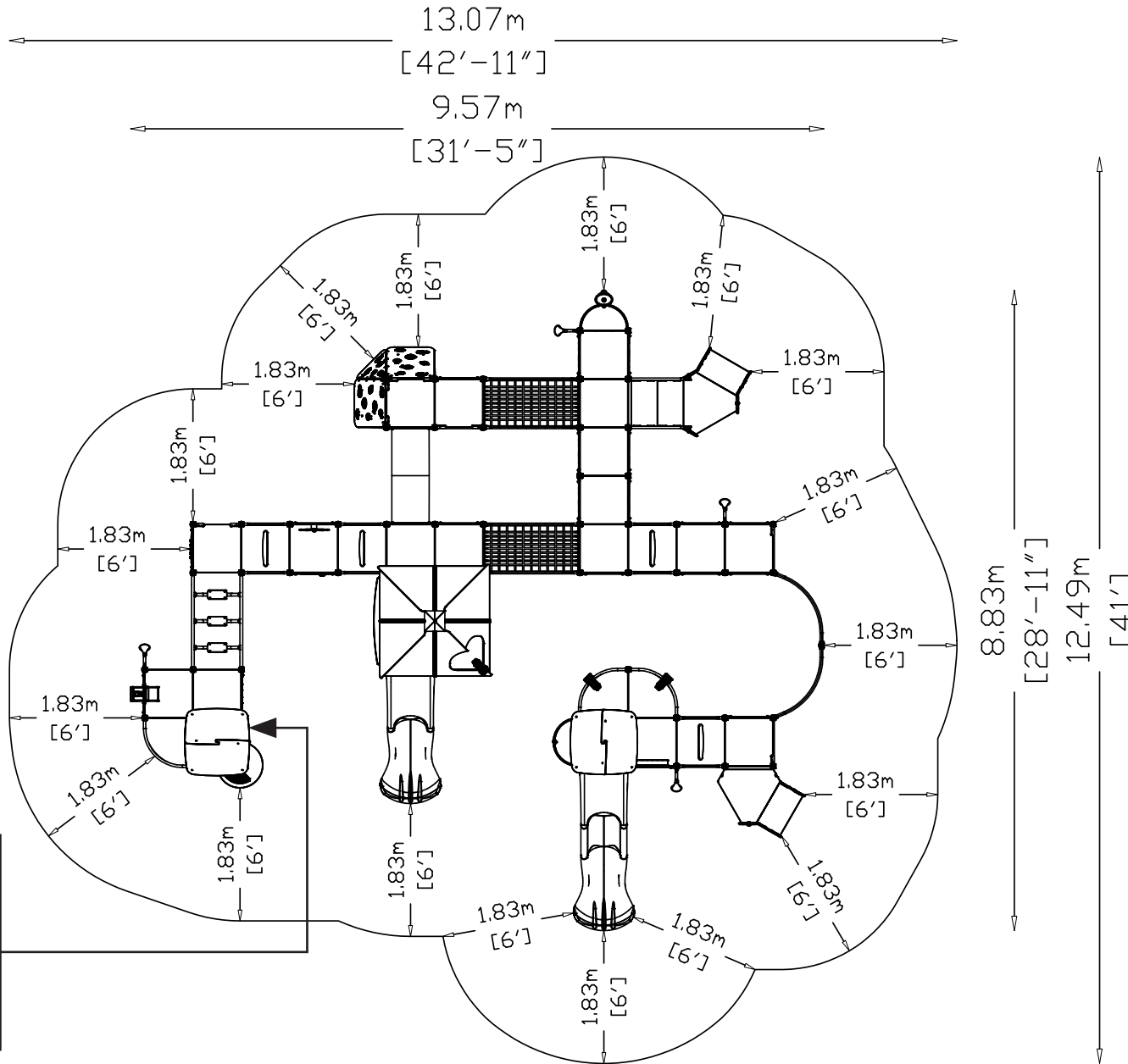
ASTM F1487  
4'-11"

# ASTM F1487



**INSTALL 101**

<p><b>WARNING</b> Playground equipment used on hard surfaces can be serious injury or death to children. Always install playground equipment on impact attenuating material that meets or exceeds the requirements of ASTM F1292.</p>	<p><b>WARNING</b> Children are injured and even die when caught in slides and other playground equipment. Before allowing children to play, remove foreign objects, such as rocks, twigs, sticks, nails, and screws, and debris accumulated through the structure. Also, remove any foreign wires, strings, or other loose items that are in the equipment.</p>	<p><b>play smart! rules</b>  <ul style="list-style-type: none"> <li>Do not play on broken or damaged equipment.</li> <li>Do not play without adequate safety surfacing under and around equipment.</li> <li>Do not play on slides or downspouts if the surface is cracked or damaged.</li> <li>Do not play on or run on playground equipment and its structure if it is damaged.</li> <li>Do not play on or run on playground equipment if the structure is not properly installed.</li> <li>Do not play on or run on playground equipment if the structure is not properly maintained.</li> <li>Do not play on or run on playground equipment if the structure is not properly inspected.</li> </ul> </p>
-------------------------------------------------------------------------------------------------------------------------------------------------------------------------------------------------------------------------------------------	---------------------------------------------------------------------------------------------------------------------------------------------------------------------------------------------------------------------------------------------------------------------------------------------------------------------------------------------------------------------	----------------------------------------------------------------------------------------------------------------------------------------------------------------------------------------------------------------------------------------------------------------------------------------------------------------------------------------------------------------------------------------------------------------------------------------------------------------------------------------------------------------------------------------------------------------------------------------------------------------------------------------------------------------------------------------------------------------



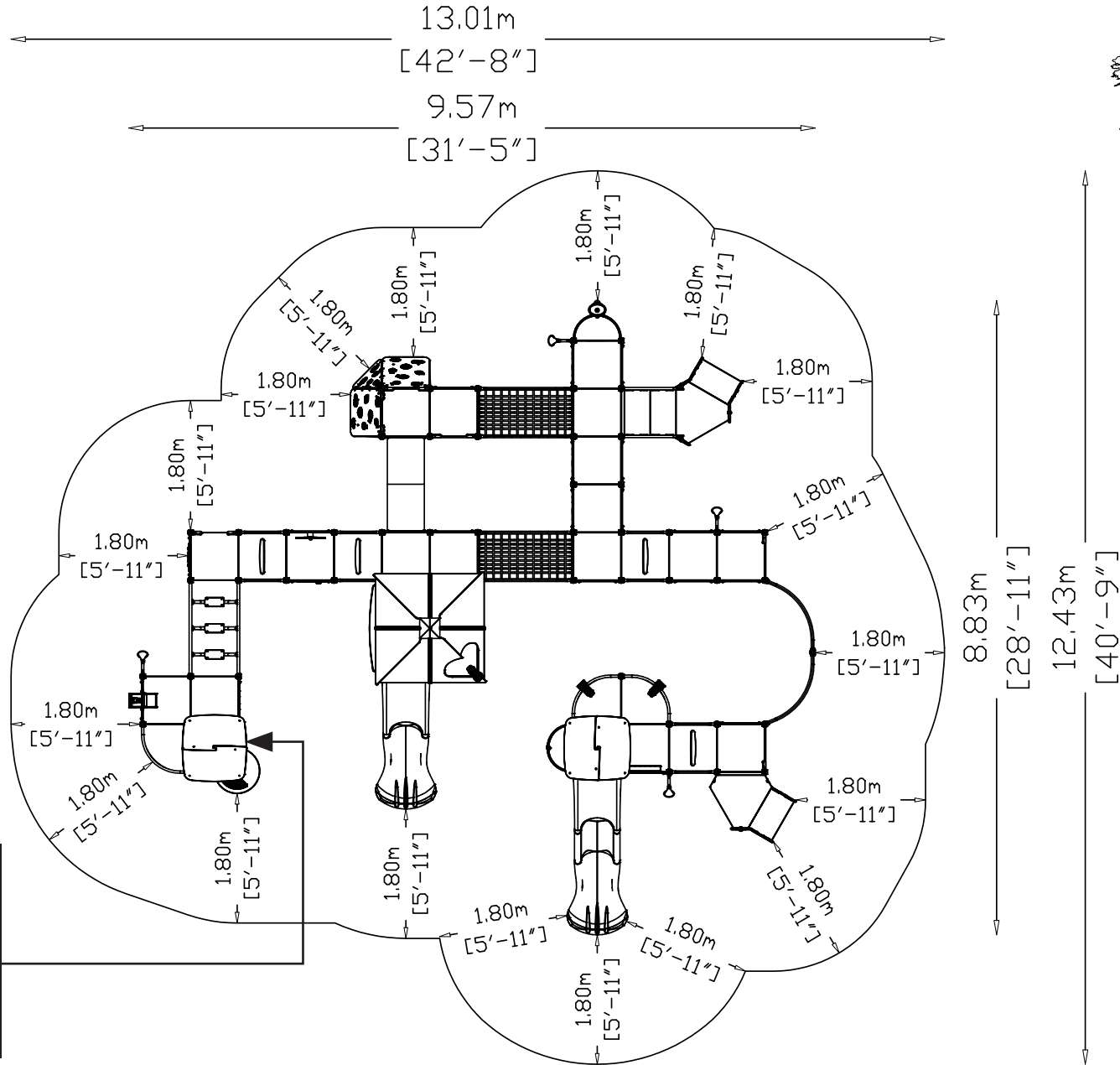
**INSTALL 101**

**HAGS**<sup>®</sup>  
FOR KIDS AGES  
**2-5**  
YEARS  
ADULT SUPERVISION RECOMMENDED  
www.hags.com

S9

CSA Z 614  
1.82m  
[6'-0"]

# CSA Z614



**INSTALL  
101**

<p><b>WARNING</b></p> <p>Playground equipment used for first use should be checked regularly for safety. Do not use playground equipment if it is damaged or if it does not meet the requirements of this standard.</p>	<p><b>WARNING</b></p> <p>Children are not to be left unattended on the equipment. Do not allow children to play on the equipment if they are not supervised by an adult.</p>	<p><b>play smart! rules</b></p> <ul style="list-style-type: none"> <li>✓ Do not play on broken or damaged equipment.</li> <li>✓ Do not play without adequate safety supervision.</li> <li>✓ Do not use playground equipment if it is damaged or if it does not meet the requirements of this standard.</li> <li>✓ Do not play on or near playground equipment if the equipment is not properly installed.</li> <li>✓ Do not play on or near playground equipment if the equipment is not properly maintained.</li> <li>✓ Do not play on or near playground equipment if the equipment is not properly inspected.</li> </ul>
<p><b>WARNING</b></p> <p>Children are not to be left unattended on the equipment. Do not allow children to play on the equipment if they are not supervised by an adult.</p>	<p><b>WARNING</b></p> <p>Children are not to be left unattended on the equipment. Do not allow children to play on the equipment if they are not supervised by an adult.</p>	<p><b>WARNING</b></p> <p>Children are not to be left unattended on the equipment. Do not allow children to play on the equipment if they are not supervised by an adult.</p>

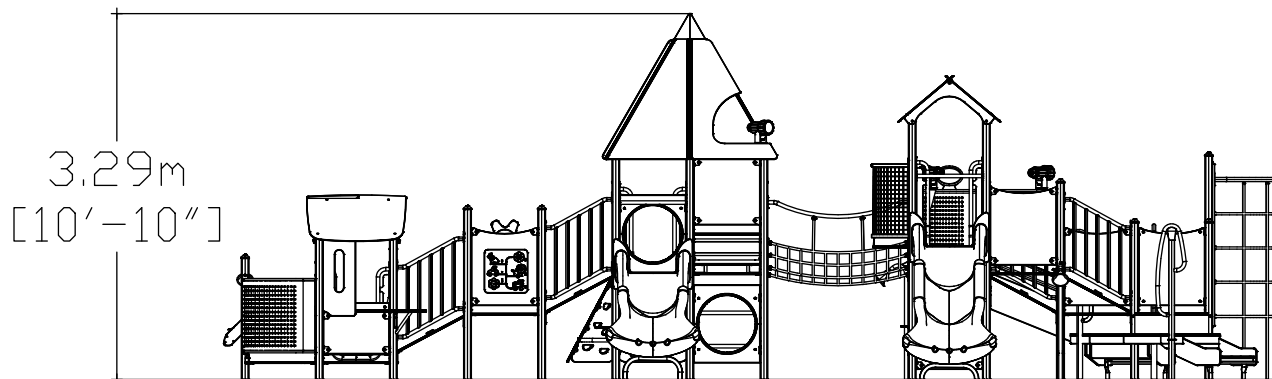
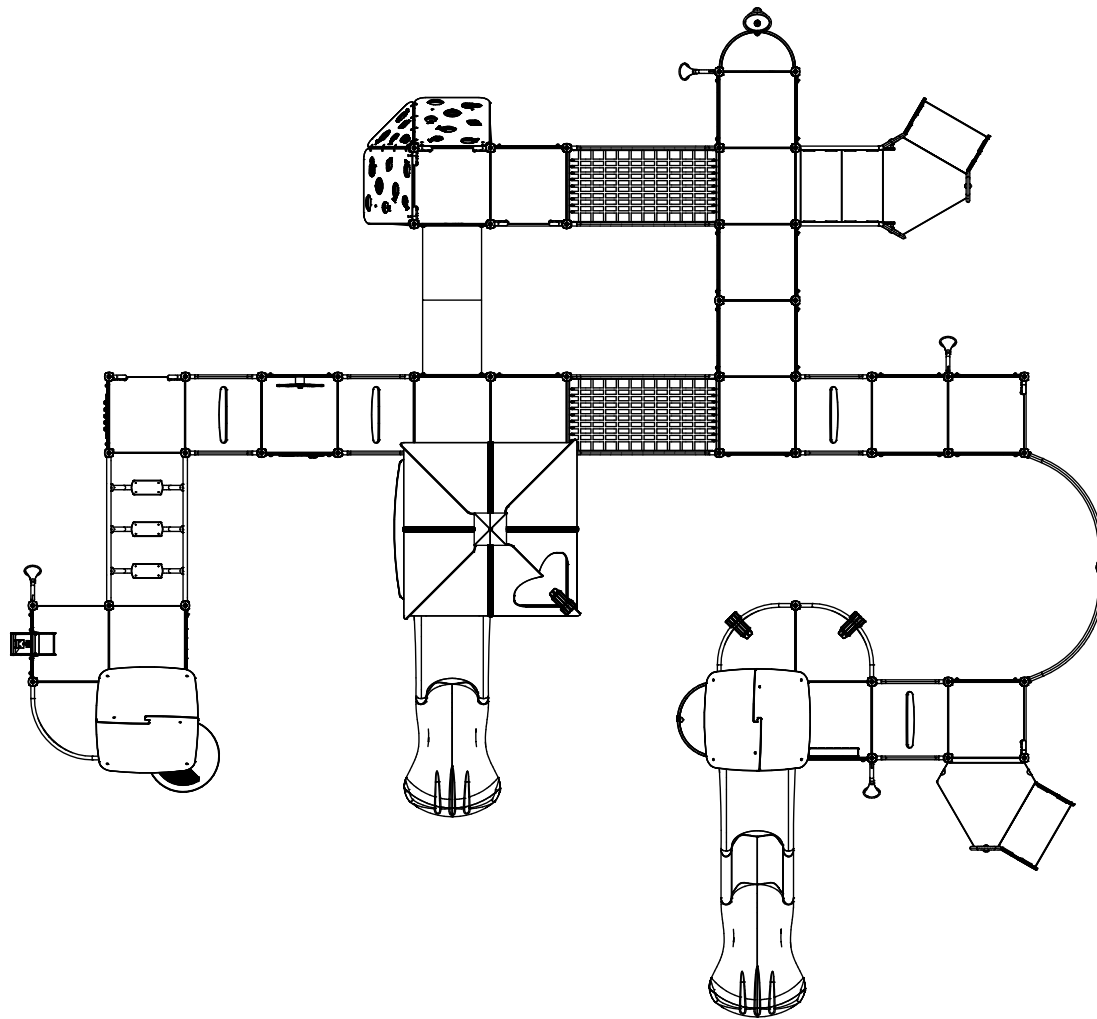


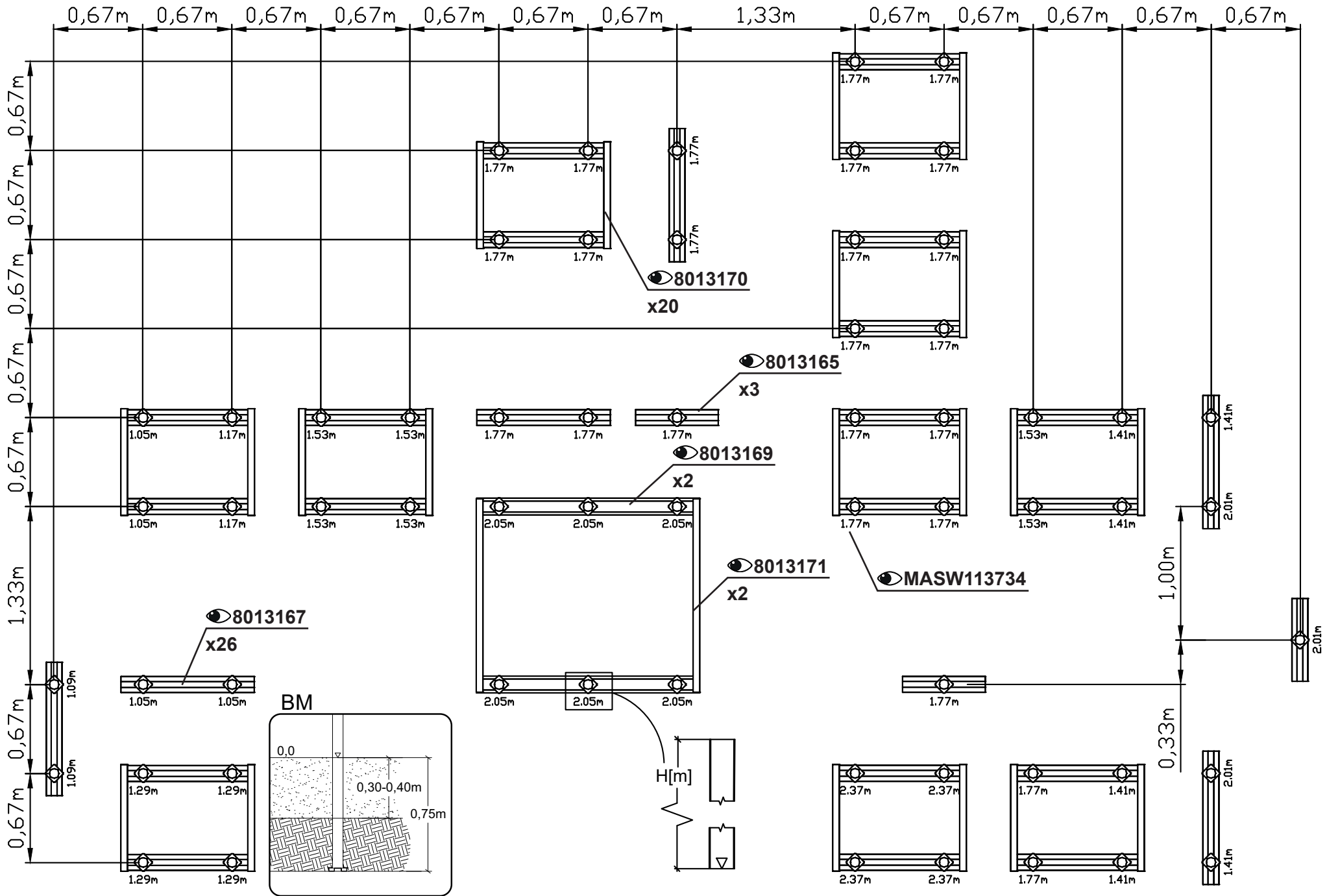
**HAGS**<sup>®</sup>

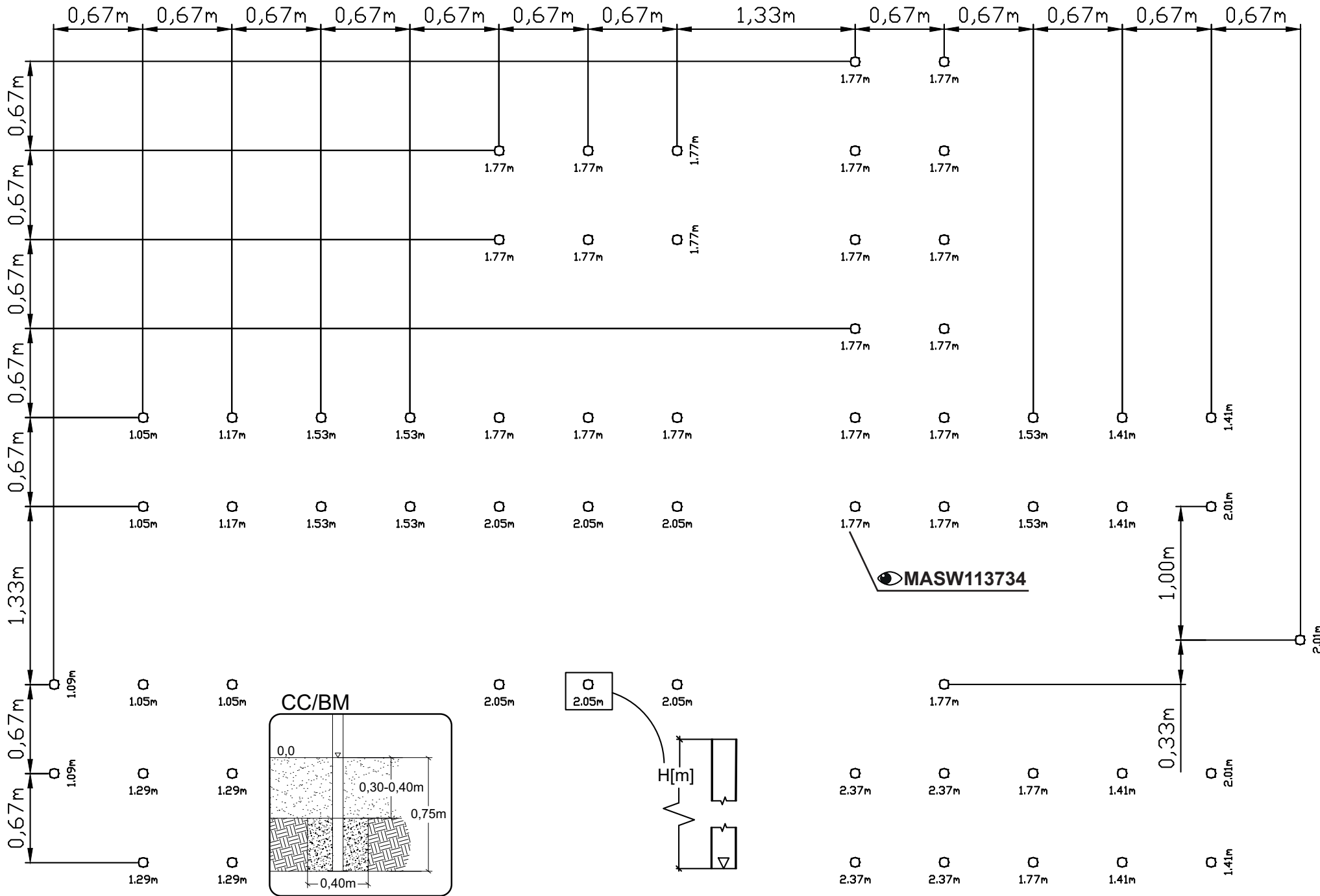
FOR KIDS AGES

**18-5**  
MONTHS YEARS

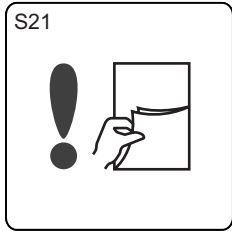
ADULT SUPERVISION RECOMMENDED  
www.hags.com



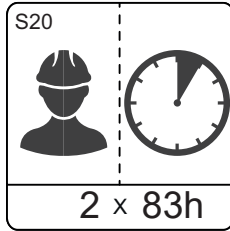




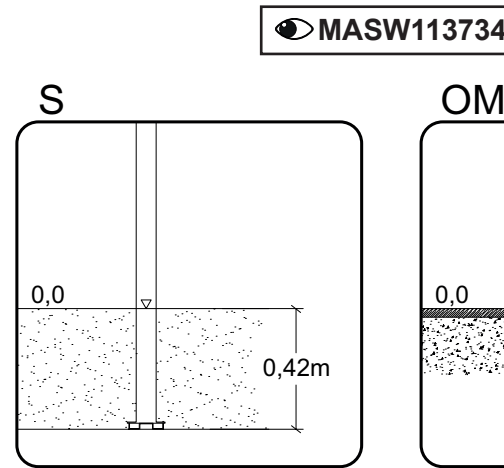
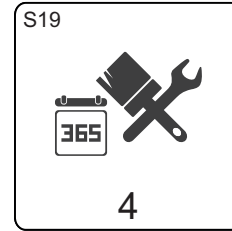
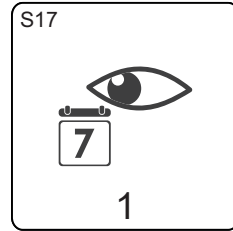




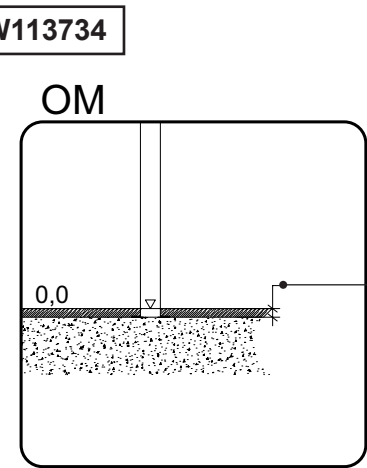
**Install 101**  
**6952**  
**6954**  
**6965**  
**6970**  
**260329**  
**620995**  
**650099**  
**693811**  
**693812**  
**45091210**  
**MA612313\_ST**  
**MA624U675320**  
**MA624U675321**  
**MASW118240**  
**MASW117650**  
**MA682213\_ST\_OM**  
**MAST6101**  
**MAST6932**  
**MASTOM675321**  
**MASW113734**  
**MASW35156**  
**MASW39314**  
**MASW39456**



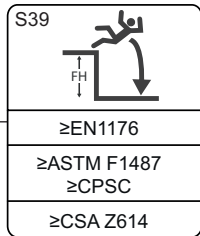
**MASW89053**  
**MASW90060**  
**MAUSW117643**  
**MAUSW117644**  
**MAUSW117645**  
**MAUSW117647**  
**OM675320**  
**ST 6251 07**  
**ST621101**  
**ST621301**  
**ST6253 02**  
**ST631513**  
**ST638113**  
**ST641307**  
**ST641407**  
**MASW121245**  
**ST6712**  
**ST676106**  
**ST6762**  
**ST682106**  
**ST6844**  
**ST695105**  
**ST695301**



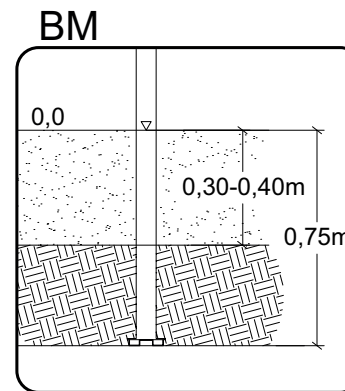
**S**  
**Sunken Foundation**



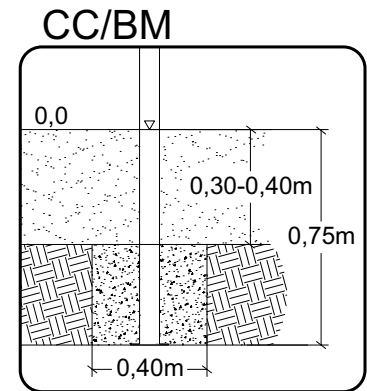
**OM**  
**Above Ground**



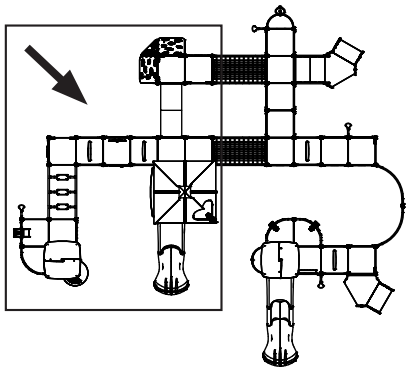
≥EN1176  
 ≥ASTM F1487  
 ≥CPSC  
 ≥CSA Z614



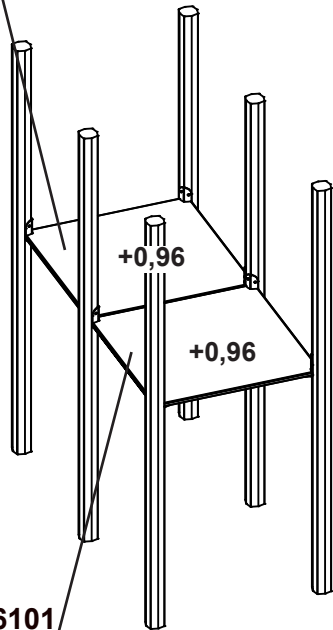
**BM**  
**Loosefill**  
 8112143



**CC/BM**  
**Cast Loosefill**  
 8112143

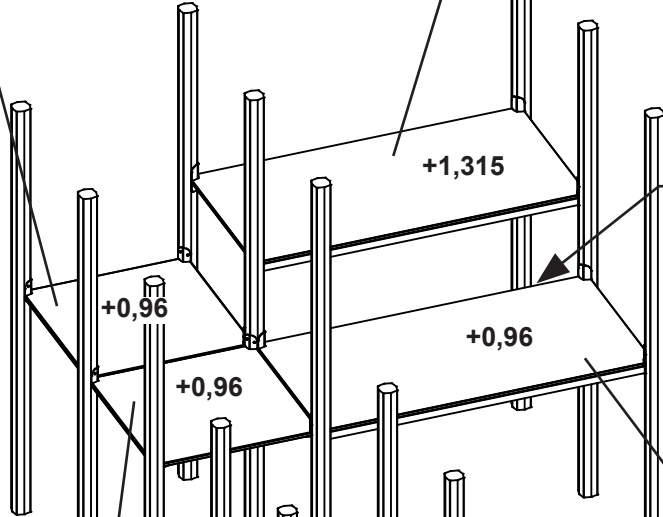


● **MAST6101**  
0,67 x 0,67m

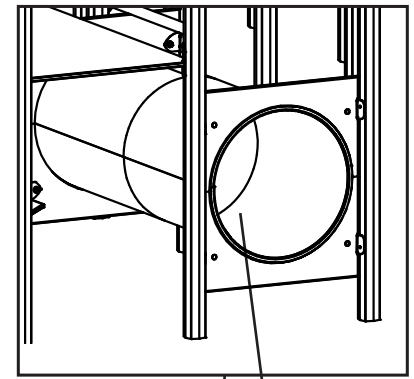


● **MAST6101**  
0,67 x 0,67m

● **MAST6101**  
0,67 x 0,67m

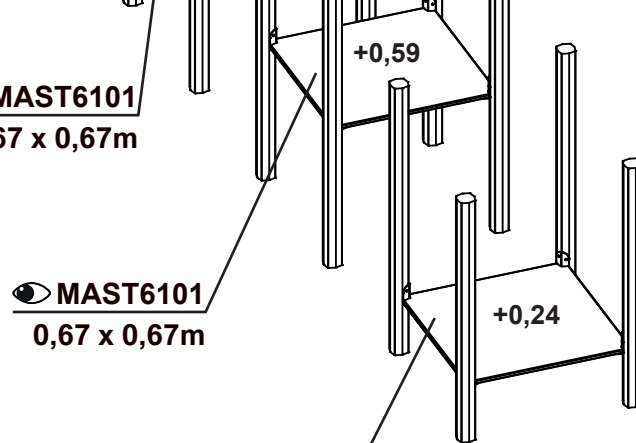


● **MASW90060**  
0,67 x 1,30m



● **ST676106**

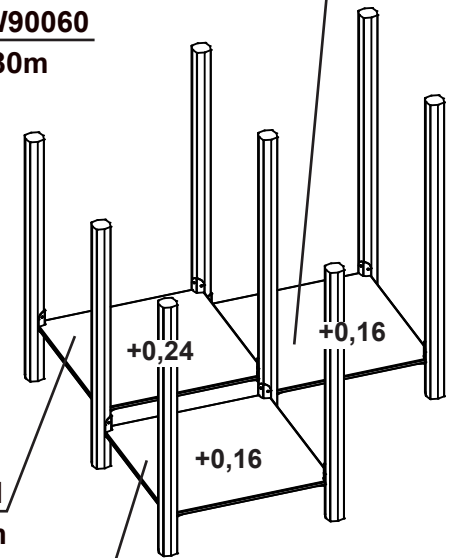
● **MAST6101**  
0,67 x 0,67m



● **MAST6101**  
0,67 x 0,67m

● **MASW90060**  
0,67 x 1,30m

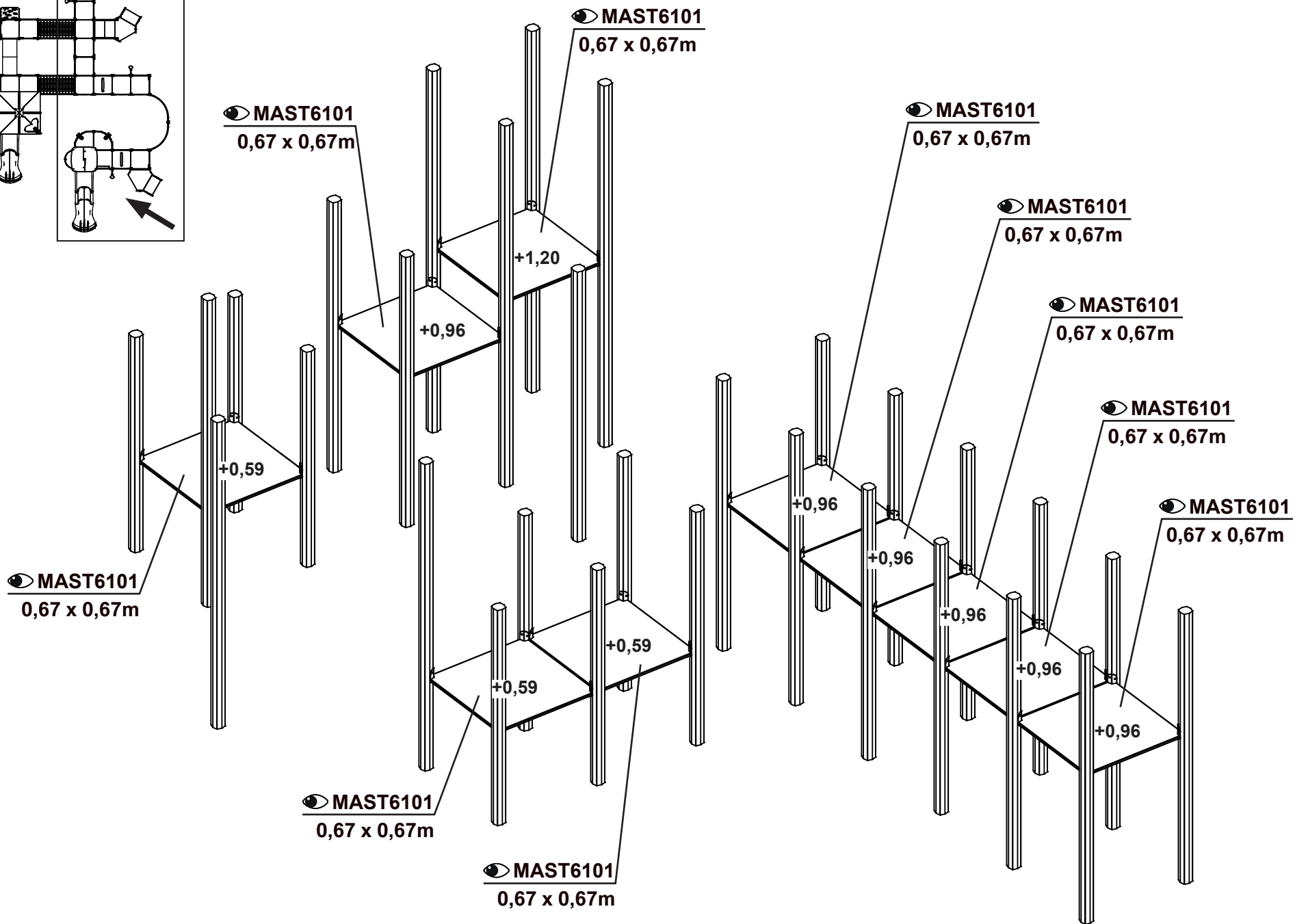
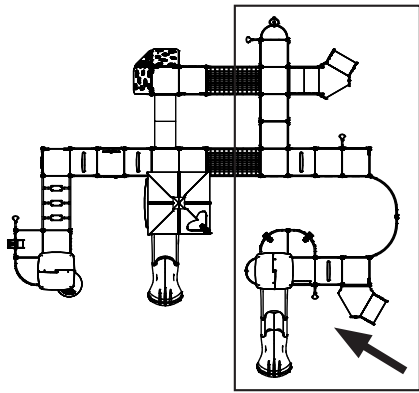
● **MAST6101**  
0,67 x 0,67m

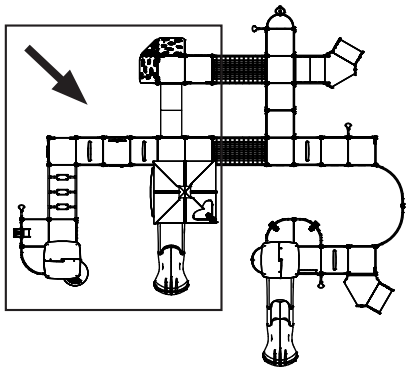


● **MAST6101**  
0,67 x 0,67m

● **MAST6101**  
0,67 x 0,67m

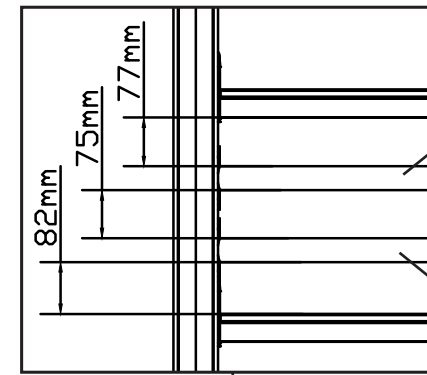
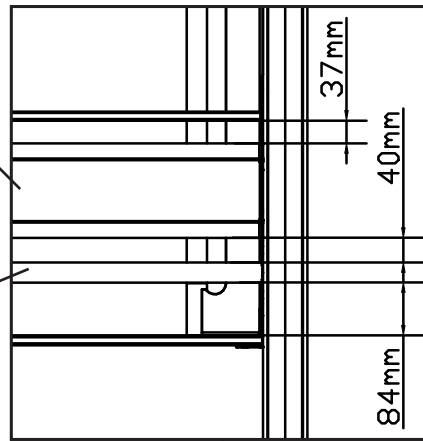
● **MAST6101**  
0,67 x 0,67m





ST631513  
0,60m  
+1,265m

ST638113  
0,60m  
+1,060m



ST638113  
1,27m  
+1,175m

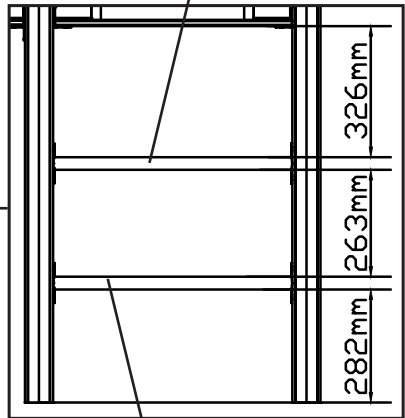
ST638113  
1,27m  
+1,061m

ST638113  
0,60m  
+0,60m

620995

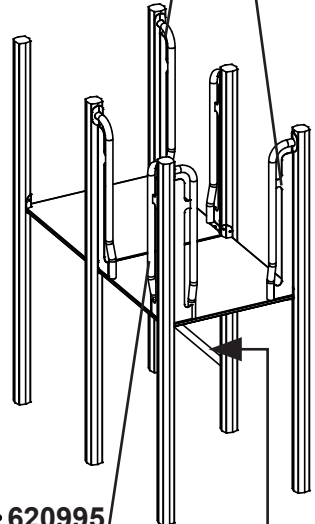
620995

ST638113  
1,27m  
+1,95m



ST638113  
0,60m  
+0,30m

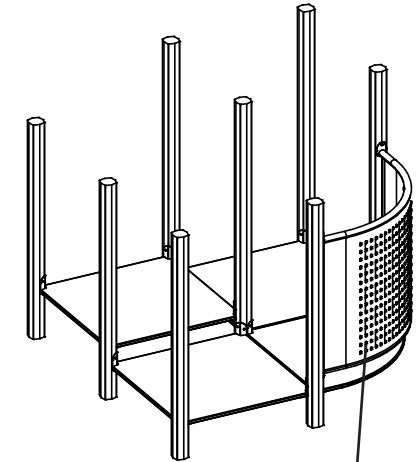
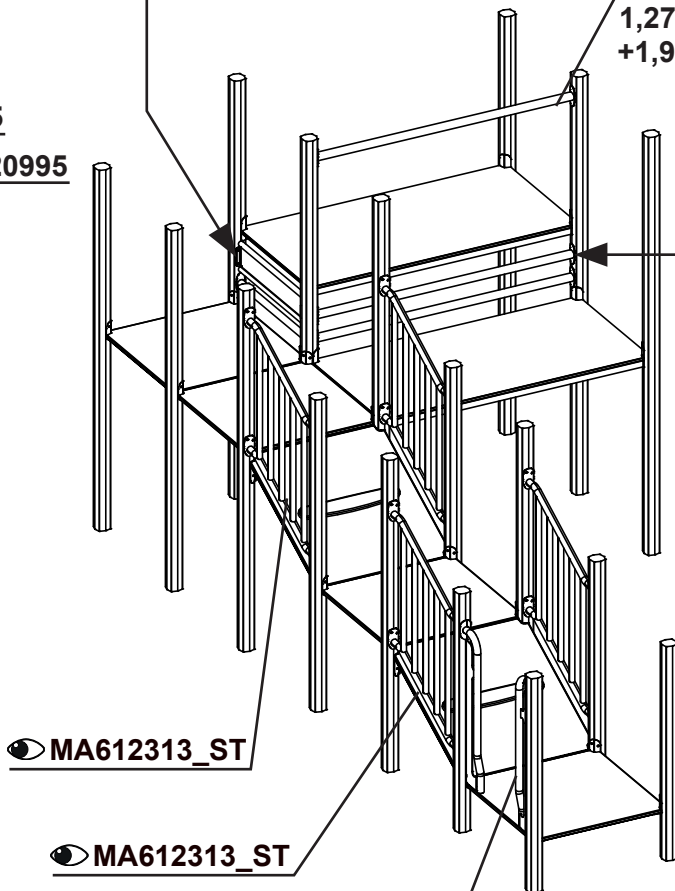
620995



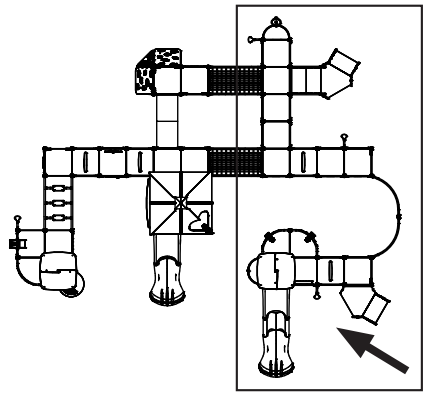
MA612313\_ST

MA612313\_ST

620995



MAST6932

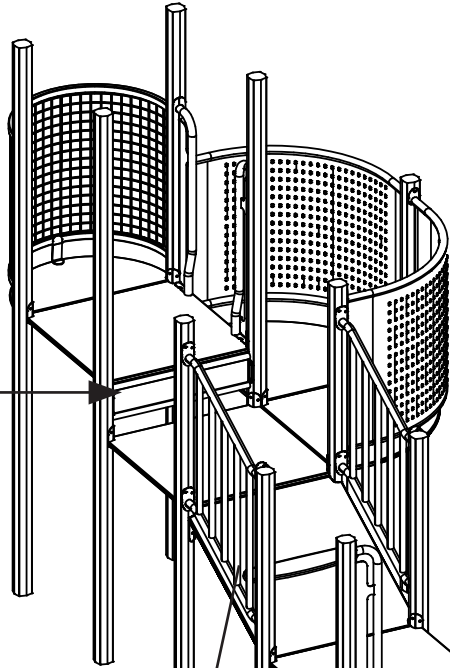
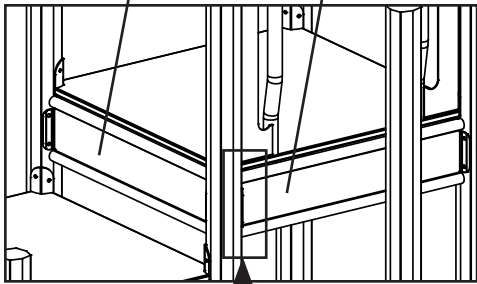


● MASW118240

● MA612313\_ST

● ST631513

● ST631513



● MA612313\_ST

● 620995

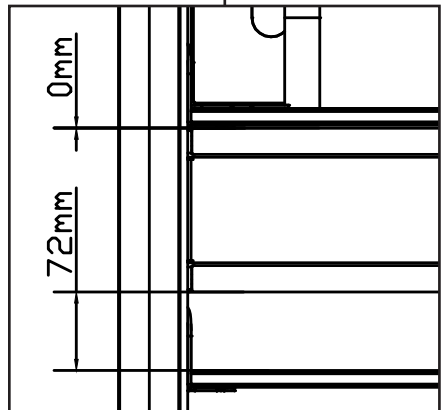
● ST638113

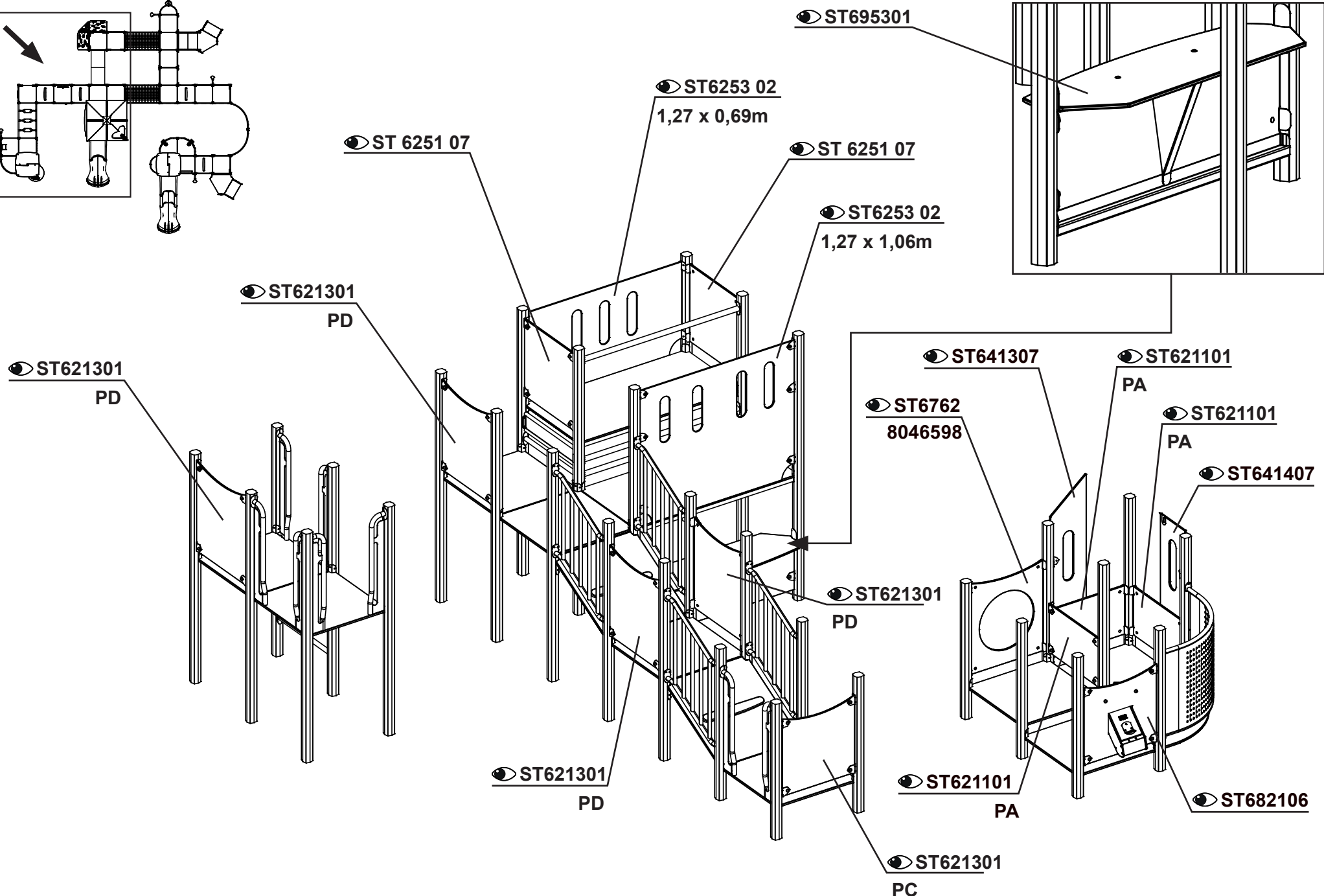
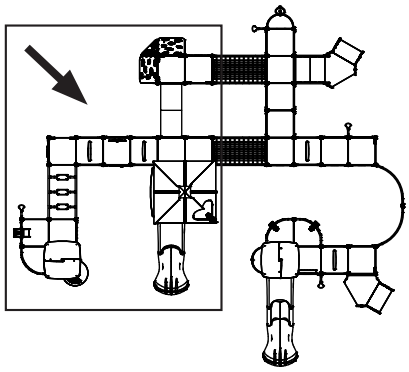
0,60m  
+0,30m

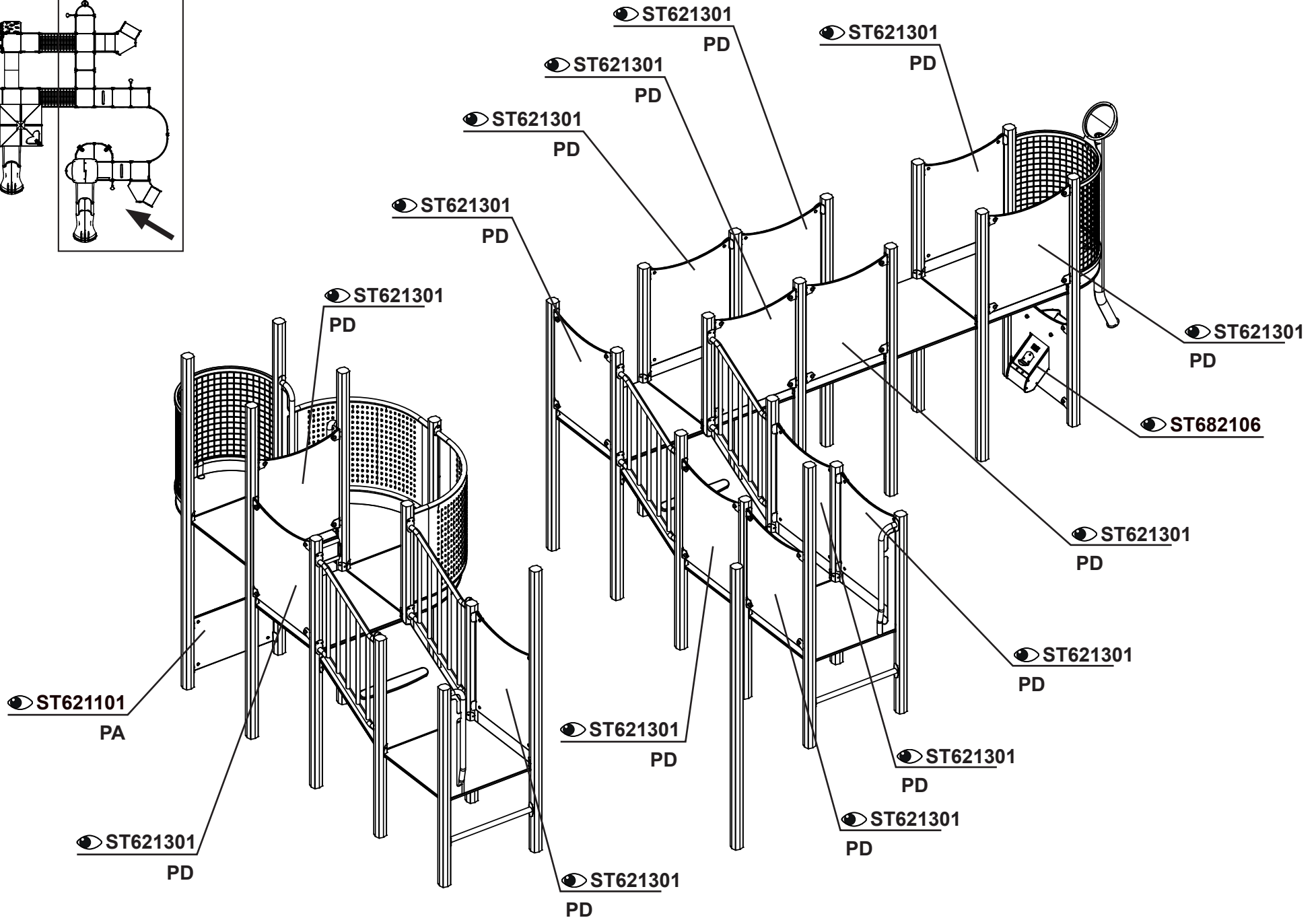
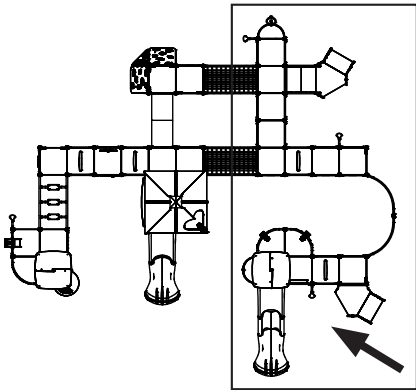
● 620995

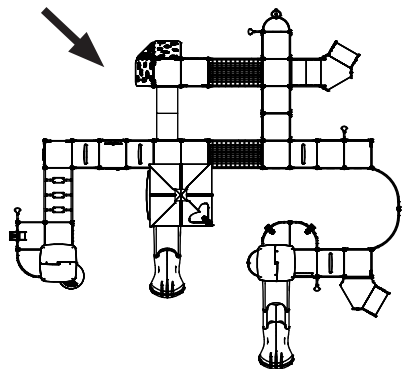
● ST638113

0,60m  
+0,30m









● MASW117650 [BM]

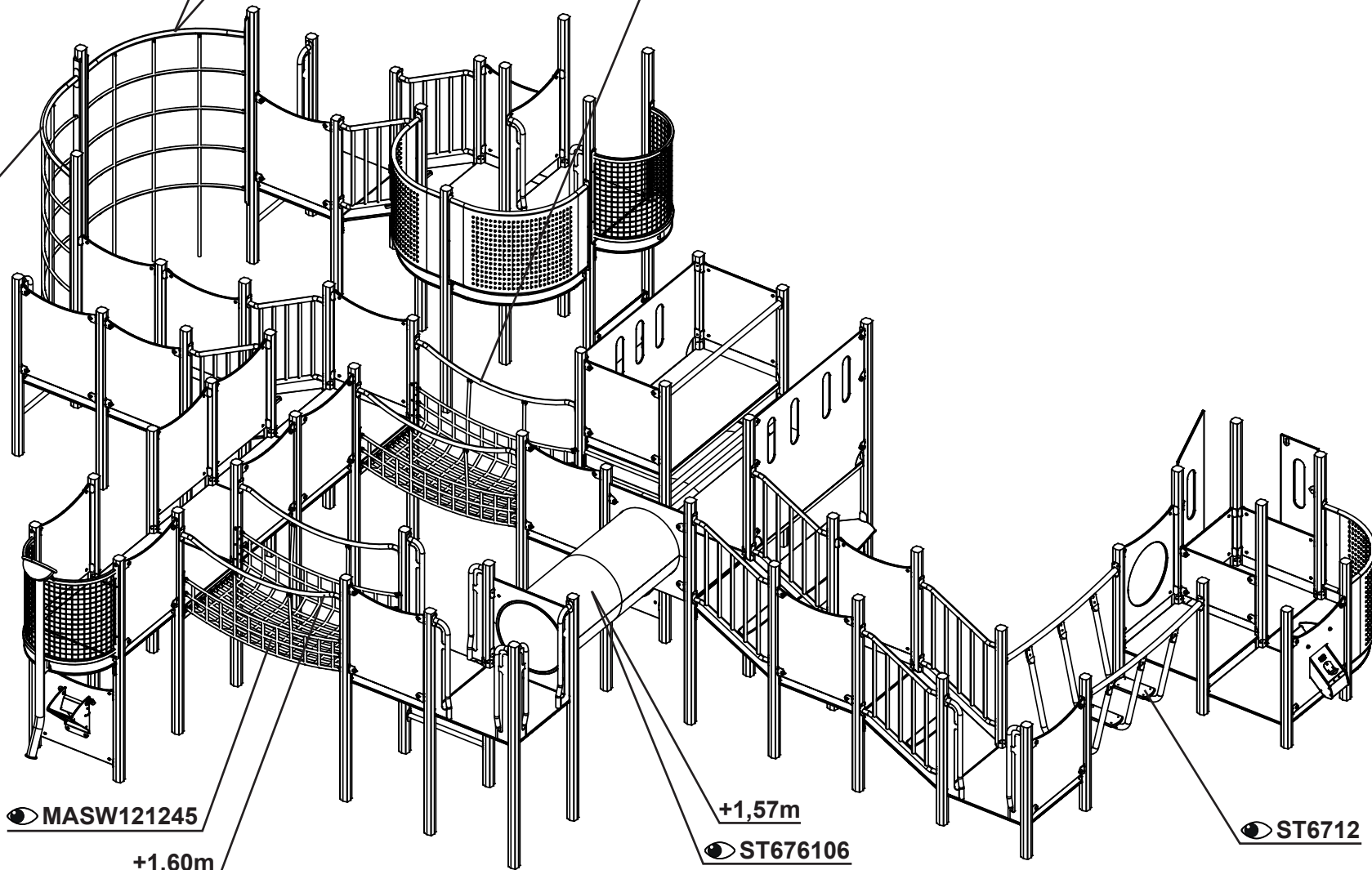
● 65270710 [OM]

+1,82m

● MASW121245

● MASW117650 [BM]

● 65270710 [OM]



● MASW121245

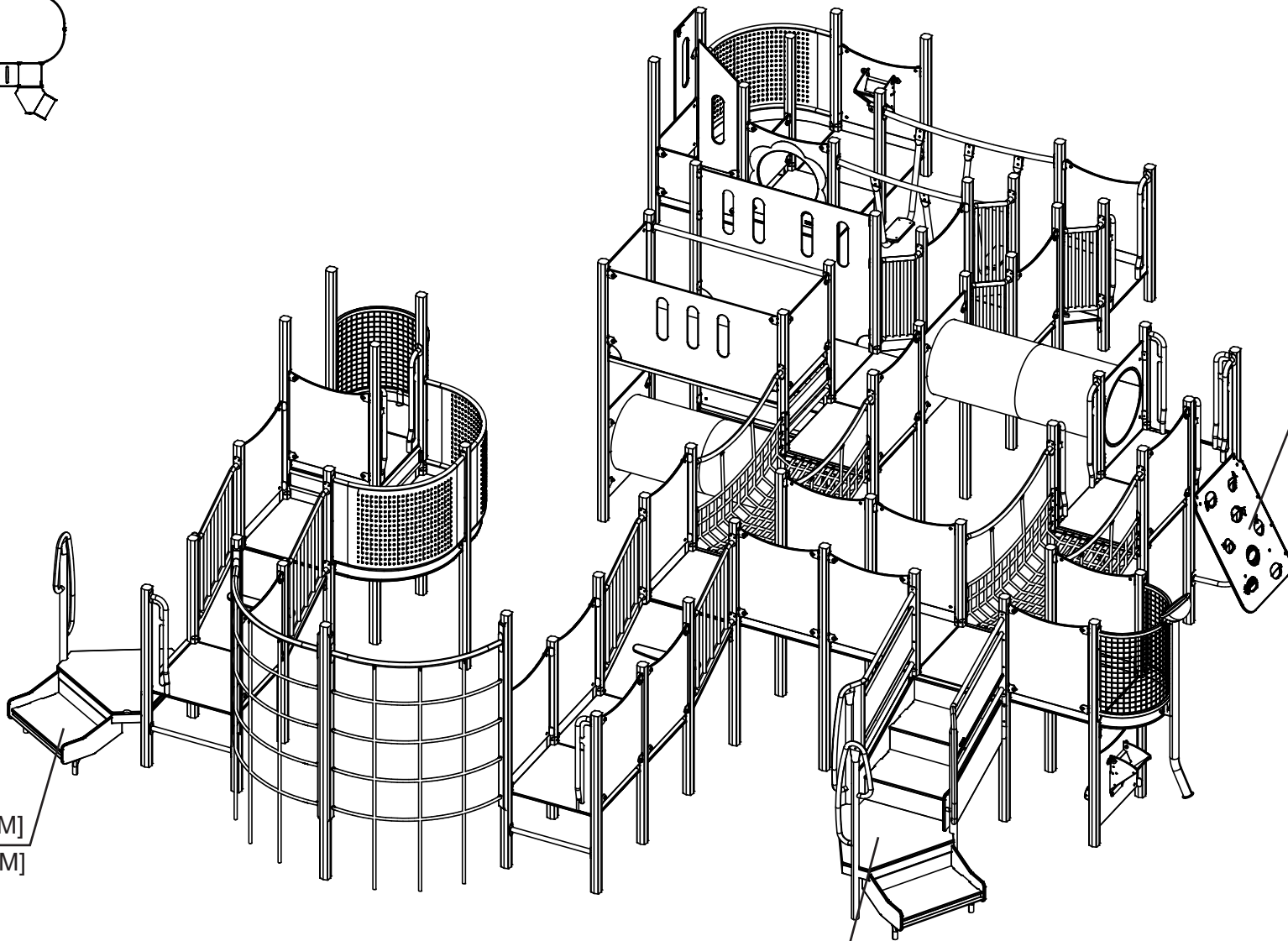
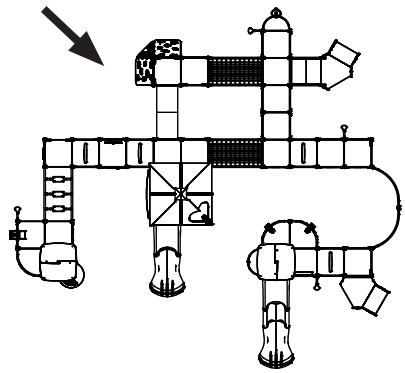
+1,60m

+1,57m

● ST676106

● ST6712





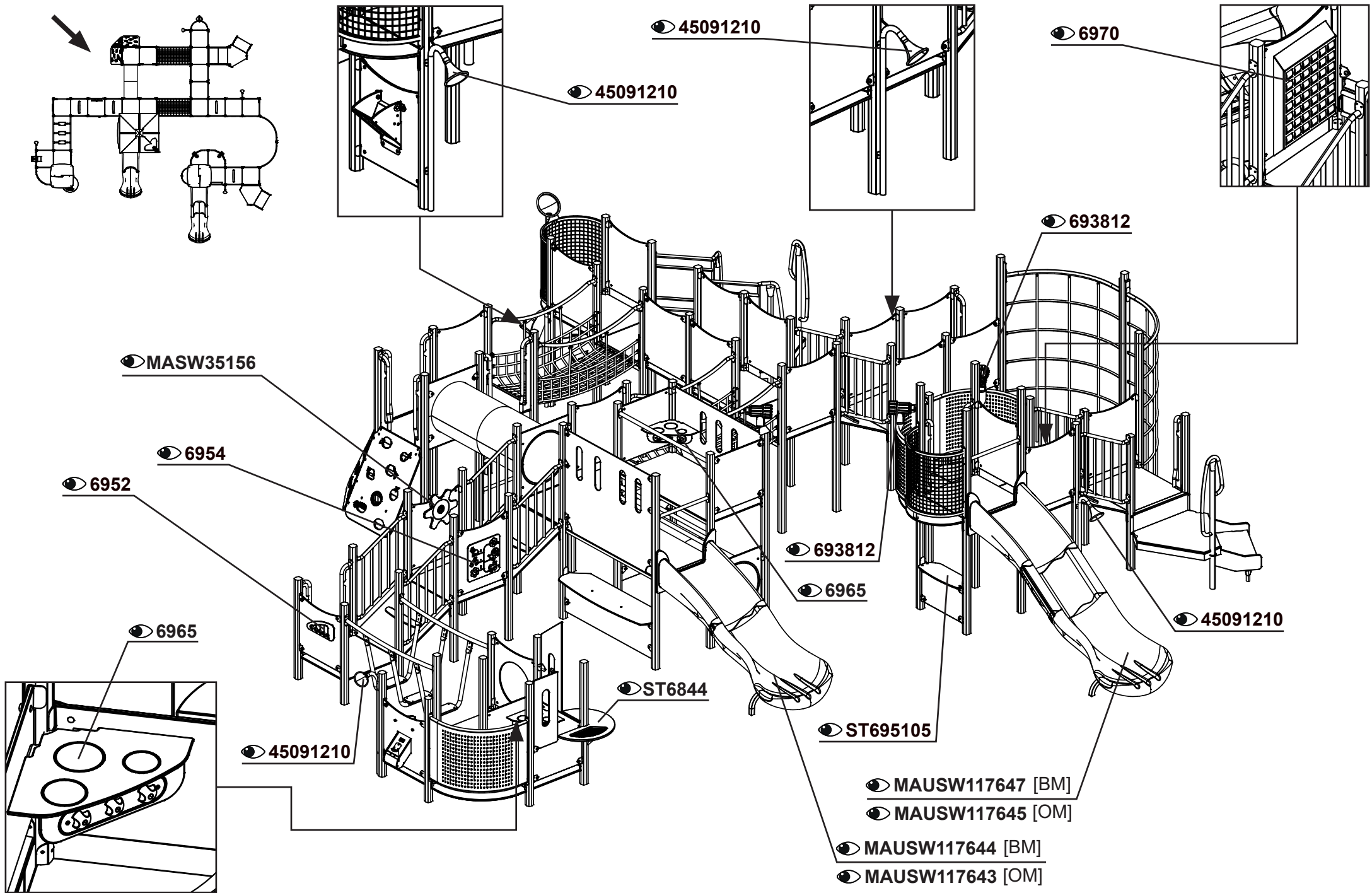
● MA624U675320 [BM]

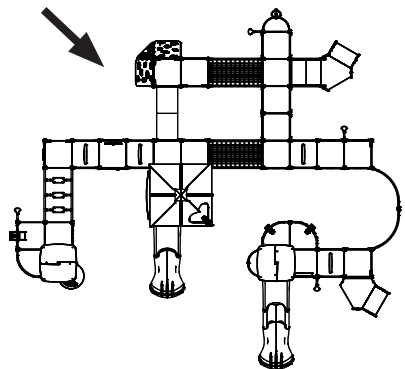
● OM675320 [OM]

● MASW89053

● MA624U675321 [BM]

● MASTOM675321 [OM]





650099

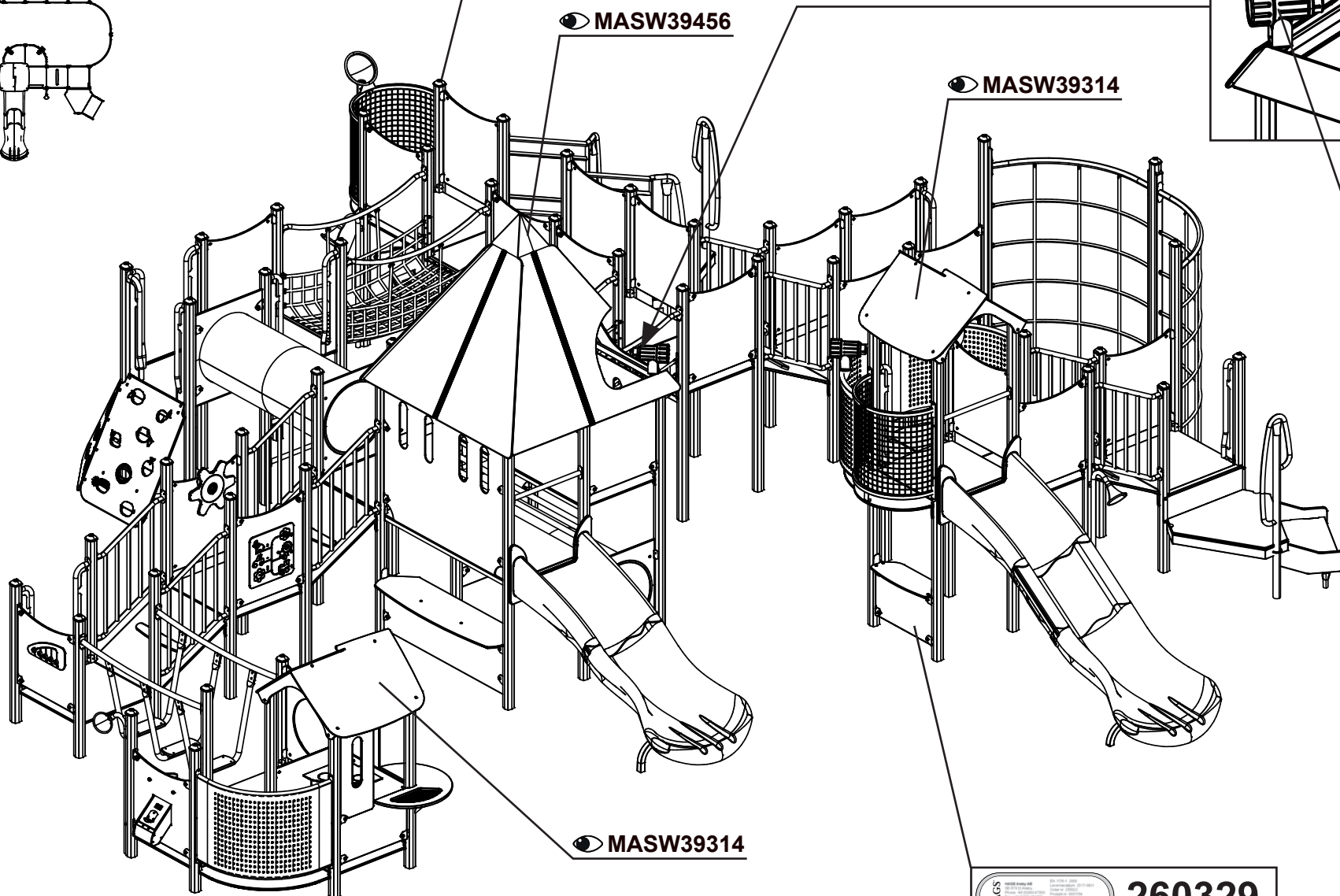
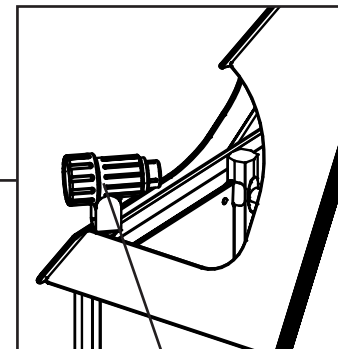
x26

MASW39456

MASW39314

693811

MASW39314



HAGS	Part Name	260329
	Part Number	260329
	Part Description	Slide
	Part Material	Galvanized Steel